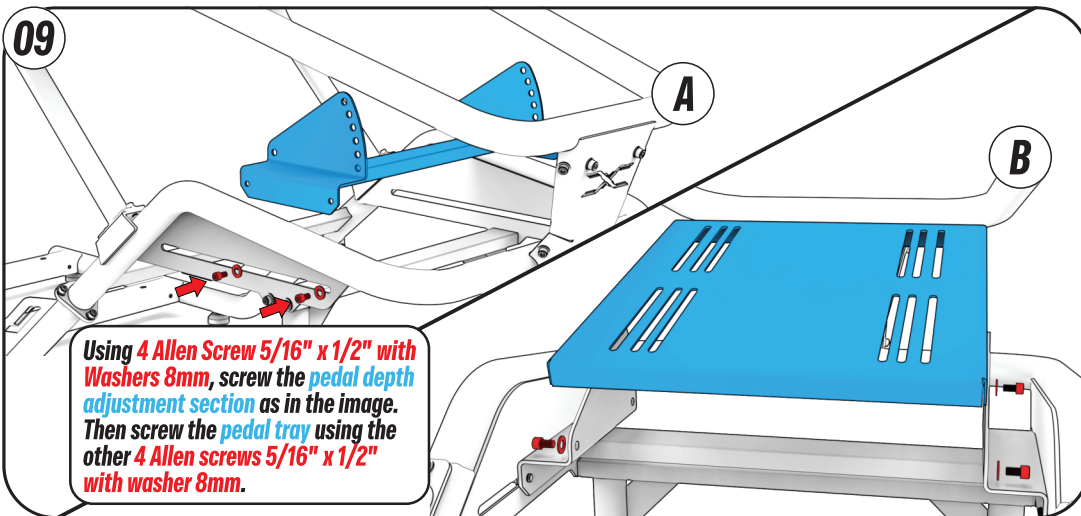
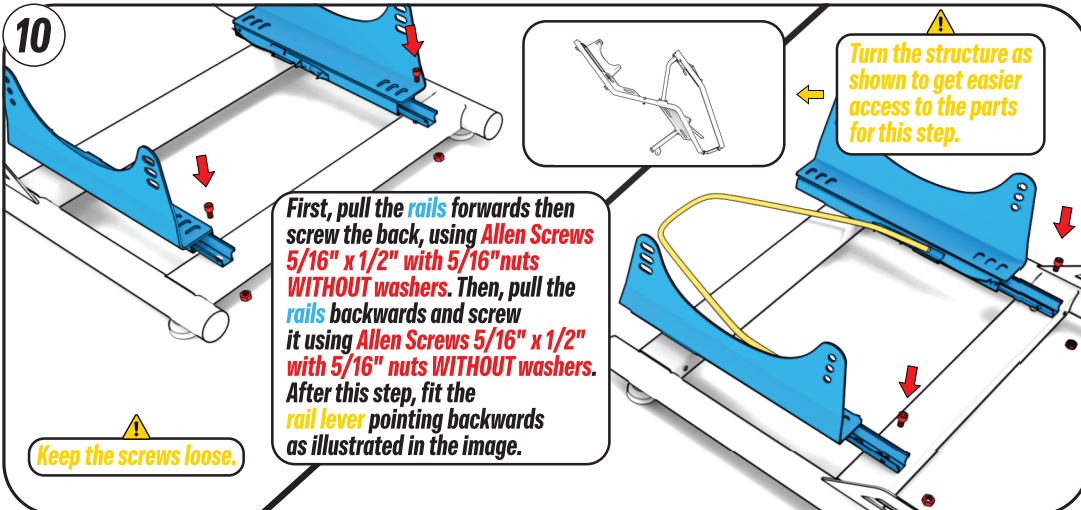


09



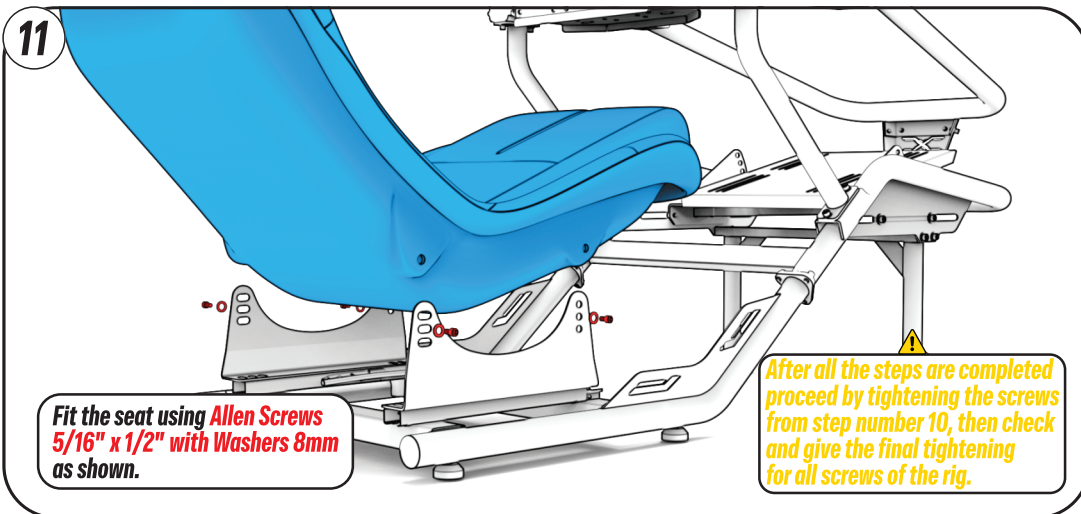
Using 4 Allen Screw 5/16" x 1/2" with Washers 8mm, screw the pedal depth adjustment section as in the image. Then screw the pedal tray using the other 4 Allen screws 5/16" x 1/2" with washer 8mm.



First, pull the rails forwards then screw the back, using Allen Screws 5/16" x 1/2" with 5/16" nuts WITHOUT washers. Then, pull the rails backwards and screw it using Allen Screws 5/16" x 1/2" with 5/16" nuts WITHOUT washers. After this step, fit the rail lever pointing backwards as illustrated in the image.

Keep the screws loose.

Turn the structure as shown to get easier access to the parts for this step.

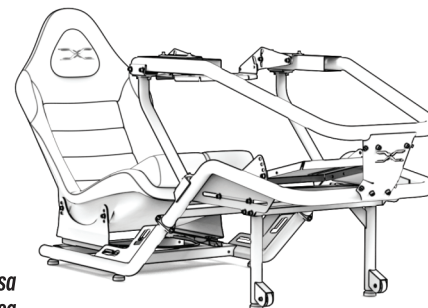


Fit the seat using Allen Screws 5/16" x 1/2" with Washers 8mm as shown.

After all the steps are completed proceed by tightening the screws from step number 10, then check and give the final tightening for all screws of the rig.

Assembly Manual Cockpit FX1

 /extremesimracingusa
 /extremesimracingusa
 extremesimracingusa
 www.extremesimracing.com

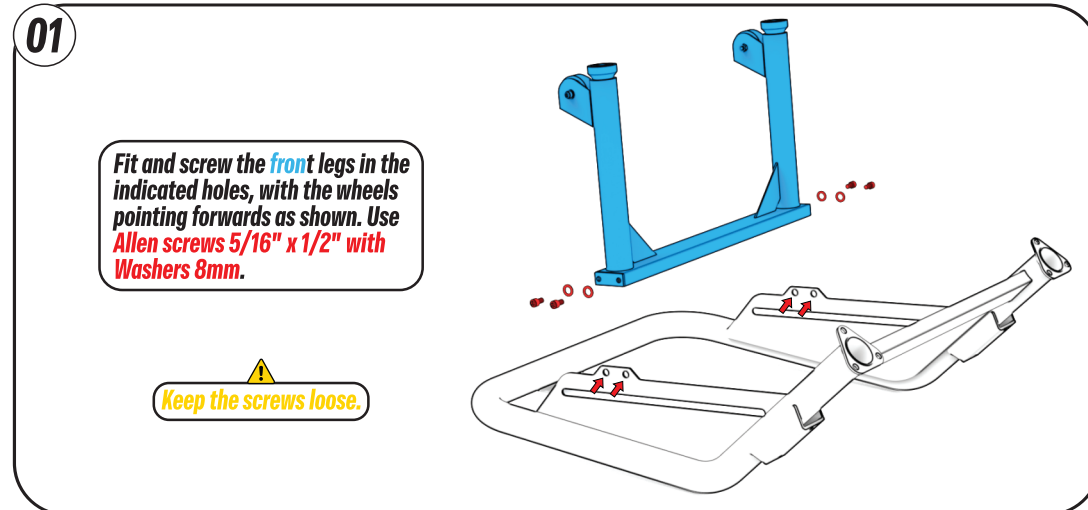


Assembly items for your cockpit:

Double-ended wrench 10-13	-01 un
Allen wrench 5mm	-01 un
Allen wrench 6mm	-01 un
Big Nylon Clamp	-06 un
Small Nylon Clamp	-06 un
Allen Screw 5/16" x 1/2"	-46 un
Allen Screw 5/16" x 1"	-04 un
Allen Screw 6 x 16mm	-08 un
Washer 8mm	-46 un
Washer 6mm	-08 un
Hex nut 5/16"	-04 un

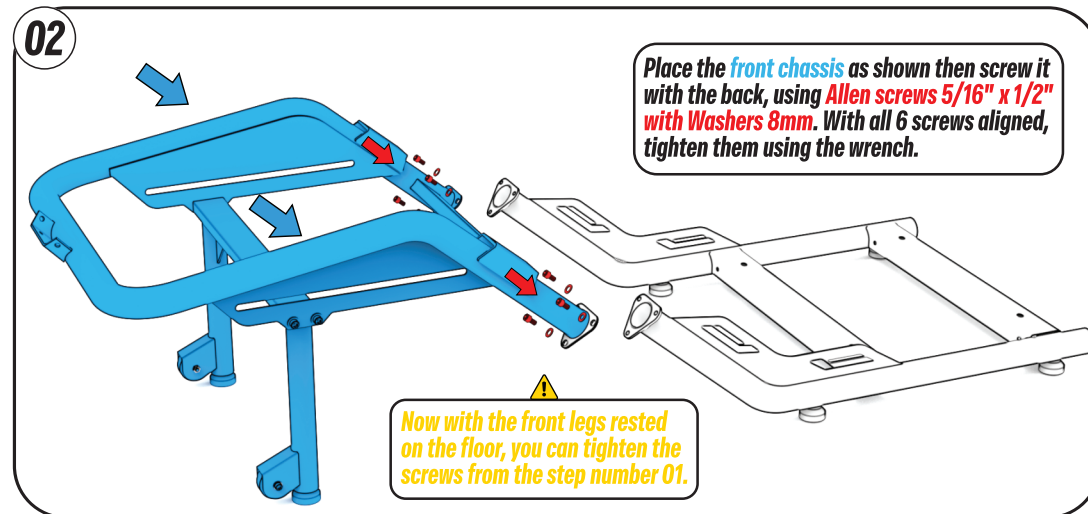


Follow the steps exactly as they are described in the manual. Any damage that may be caused by assembly errors will be the responsibility of the customer. In order to prevent paint damage, it is recommended to execute the assembly on a soft surface.



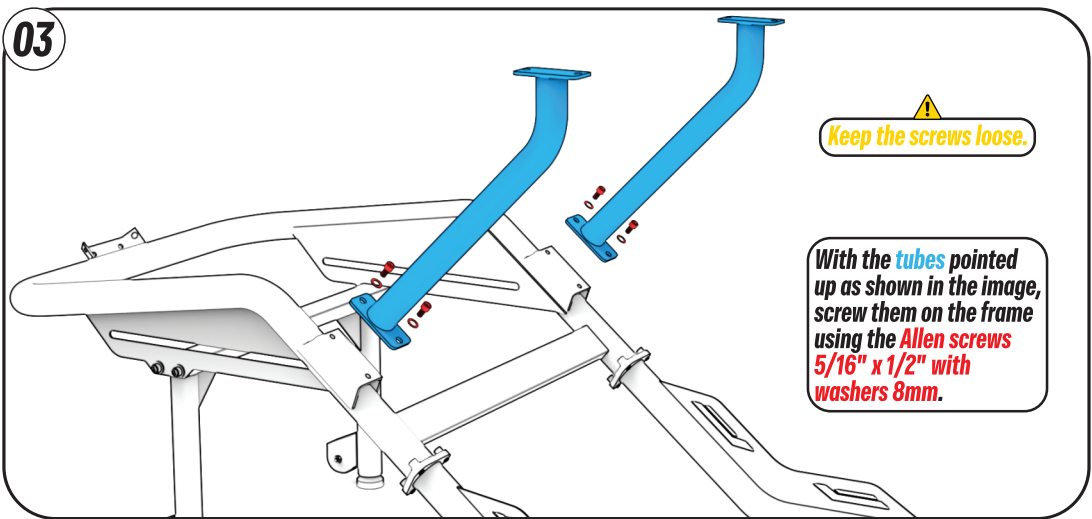
Fit and screw the front legs in the indicated holes, with the wheels pointing forwards as shown. Use Allen screws 5/16" x 1/2" with Washers 8mm.

Keep the screws loose.



Place the front chassis as shown then screw it with the back, using Allen screws 5/16" x 1/2" with Washers 8mm. With all 6 screws aligned, tighten them using the wrench.

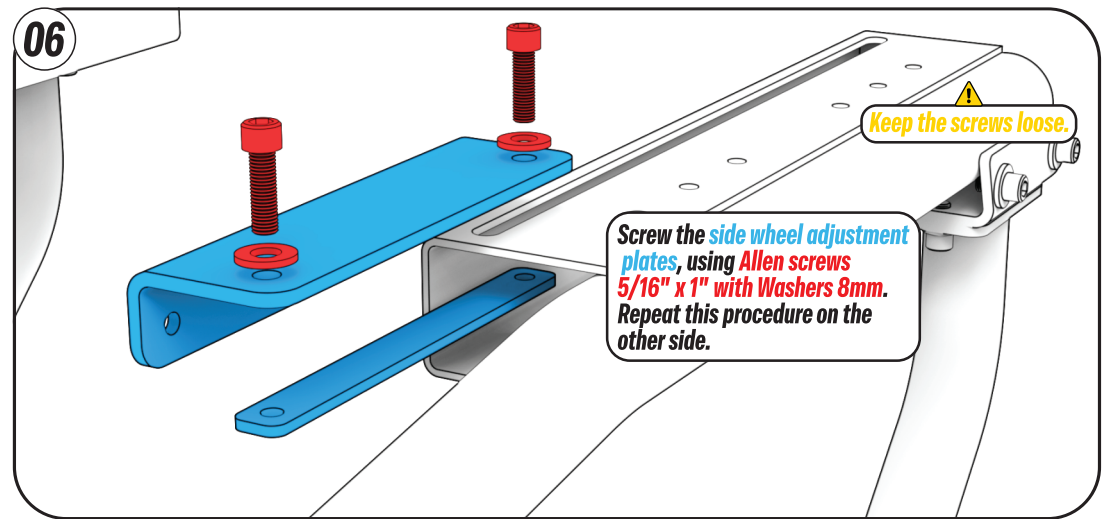
Now with the front legs rested on the floor, you can tighten the screws from the step number 01.



03

Keep the screws loose.

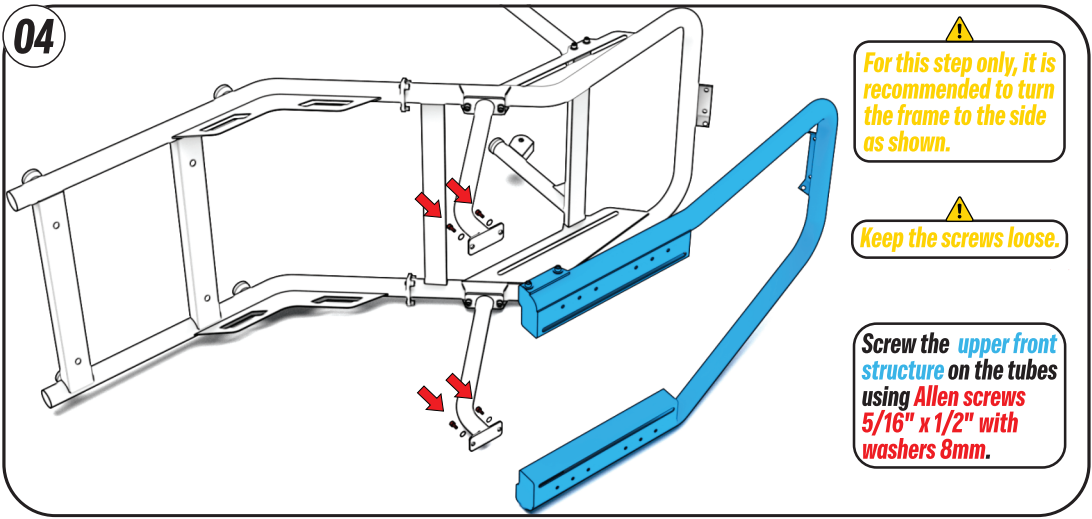
With the tubes pointed up as shown in the image, screw them on the frame using the Allen screws 5/16" x 1/2" with washers 8mm.



06

Keep the screws loose.

Screw the side wheel adjustment plates, using Allen screws 5/16" x 1" with Washers 8mm. Repeat this procedure on the other side.

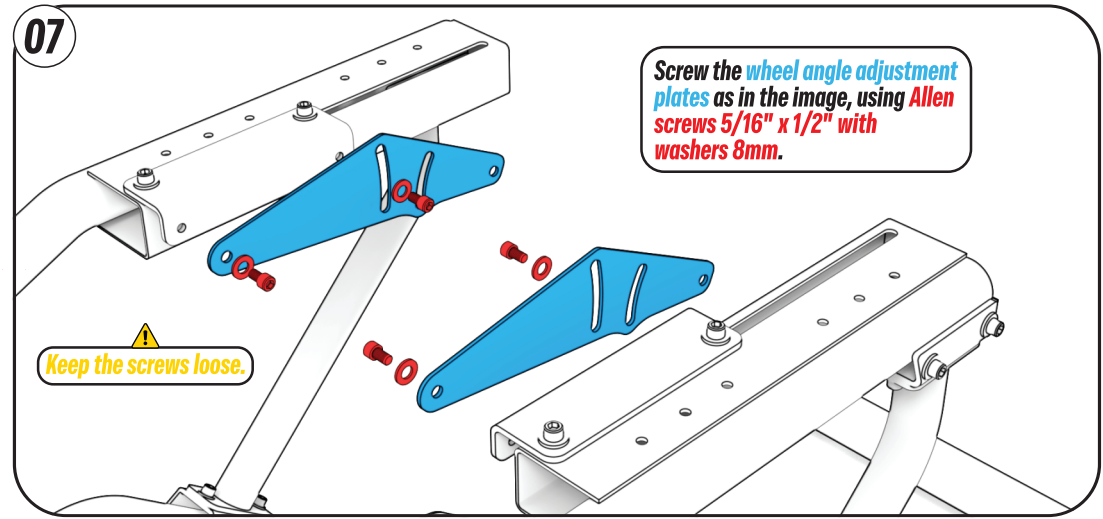


04

For this step only, it is recommended to turn the frame to the side as shown.

Keep the screws loose.

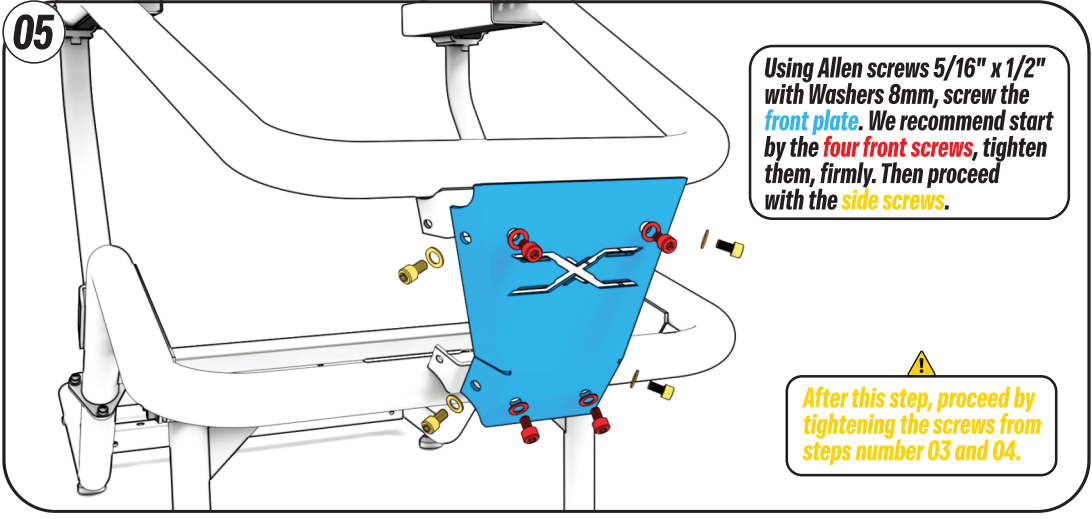
Screw the upper front structure on the tubes using Allen screws 5/16" x 1/2" with washers 8mm.



07

Keep the screws loose.

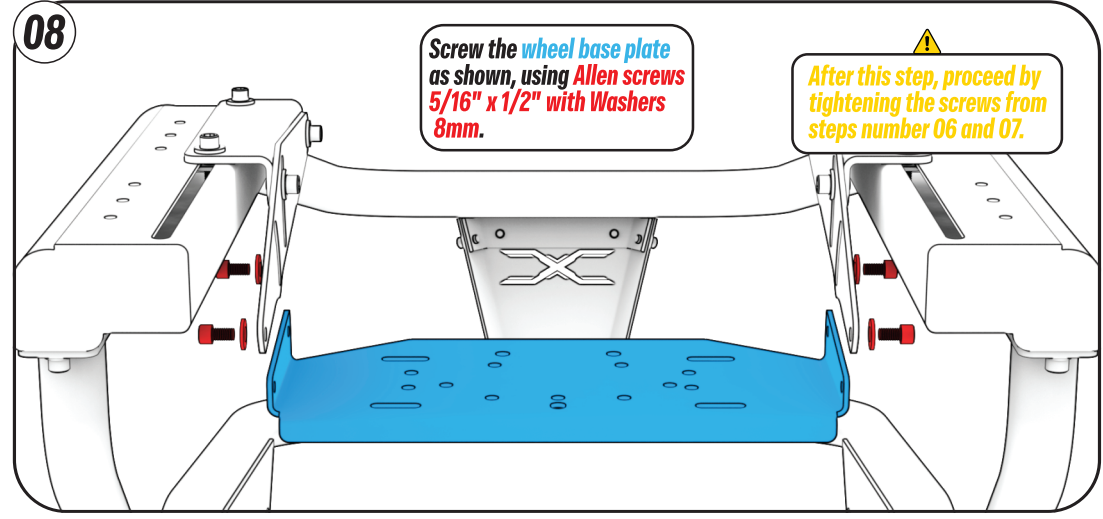
Screw the wheel angle adjustment plates as in the image, using Allen screws 5/16" x 1/2" with washers 8mm.



05

Using Allen screws 5/16" x 1/2" with Washers 8mm, screw the front plate. We recommend start by the four front screws, tighten them, firmly. Then proceed with the side screws.

After this step, proceed by tightening the screws from steps number 03 and 04.



08

Screw the wheel base plate as shown, using Allen screws 5/16" x 1/2" with Washers 8mm.

After this step, proceed by tightening the screws from steps number 06 and 07.