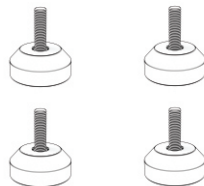
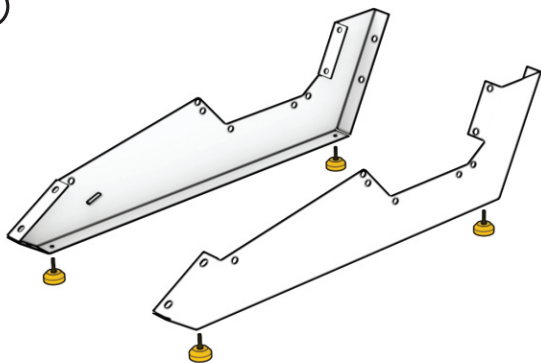


Need assistance? Send questions to:

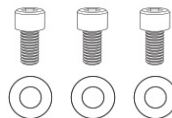
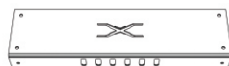
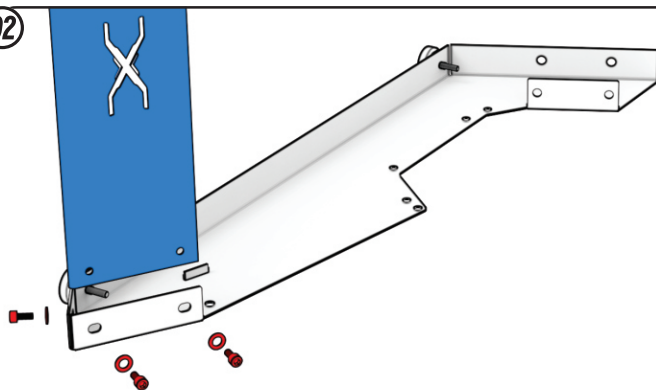
 contact@extremesimracing.com

01



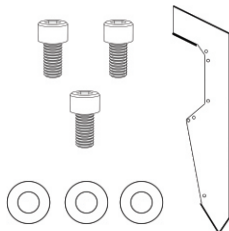
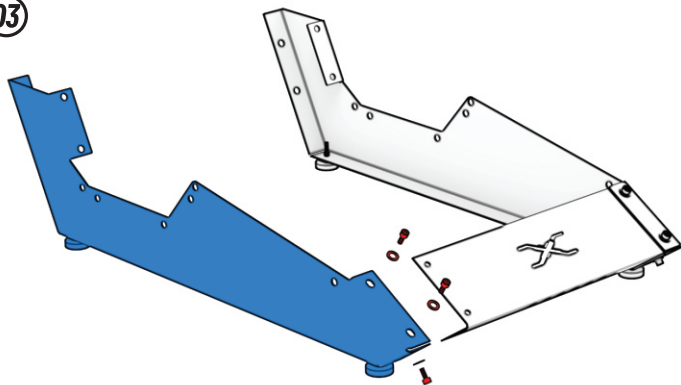
Get both side chassis plates, insert **4 Leveling Feet** at the threaded holes at the bottom of the plates. Screw them all the way in.

02



Flip the Plate to the side as shown, align the **Back Plate** with its holes. Insert the **Allen M8 × 16mm with 8mm Washers**, screwing to the threaded holes on the **Back Plate**. Do **NOT** tighten the structural screws during the assembly of the chassis.

03

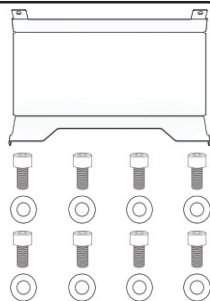
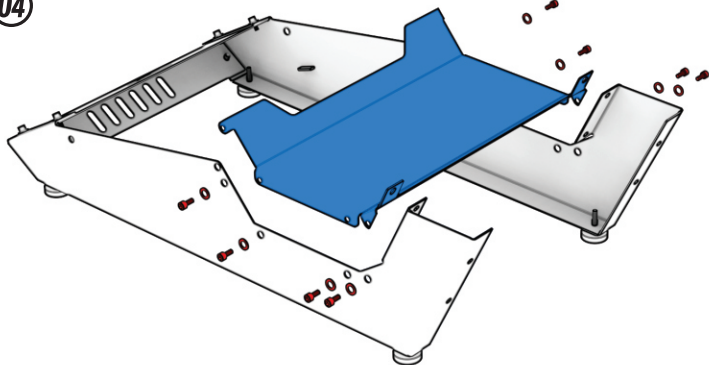


As shown in the picture, turn the structure then align the other **Side Plate** with the threaded holes of the **Back Plate**. Fit using **Allen Screws M8 × 16 mm and 8mm Washers**, do not tighten.

Need assistance? Send questions to:

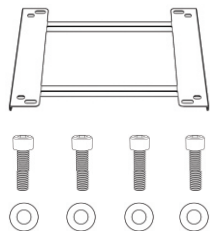
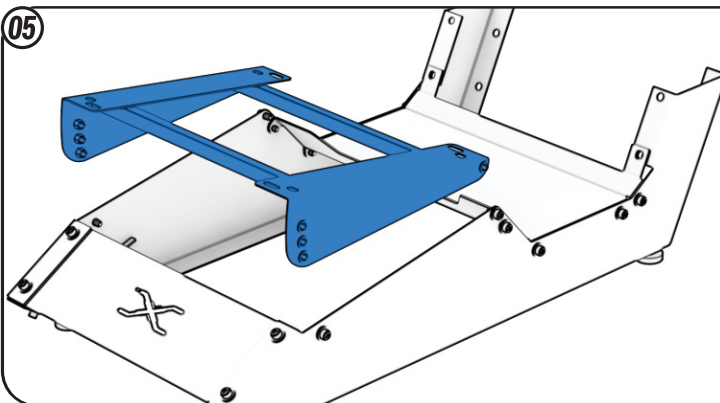
 contact@extremesimracing.com

04



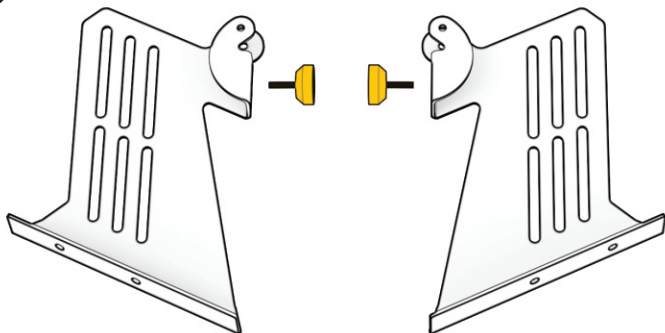
Place the **Floor** between the **Side Plates**, screw by the sides using **Allen Screws M8 × 16mm and 8mm Washers**, 4 on each side, do not tighten.

05



Place the **Seat Base** on the chassis, screw using the **Allen Screws M8 × 30mm and 8mm Washers**, the first 2 at the front and then the other 2 at the back. Those at the back will be used for adjustments. Do not tighten.

06

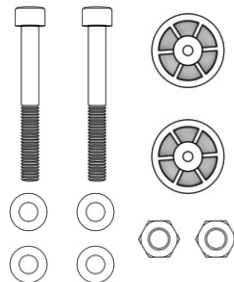
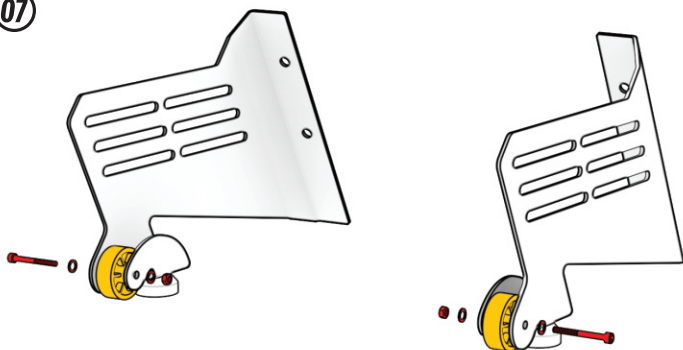


Insert the **Leveling Feet** on each of the 2 **Front Pedal Plates** threaded holes. Screw all the way in.

Need assistance? Send questions to:

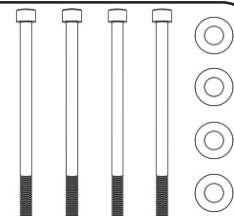
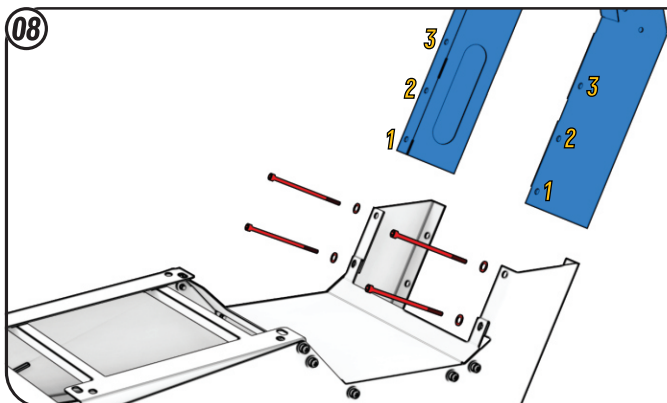
 contact@extremesimracing.com

07



Place the **wheels** between the plates and screw using the **Allen Screws M6×55mm with 6mm Washers on both sides and 6mm Nut.**

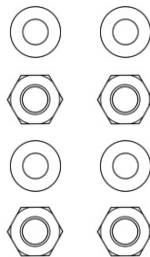
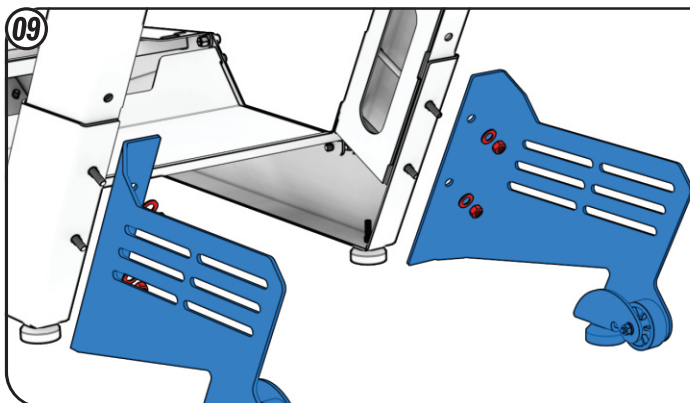
08



Attention: if you got the chassis with **FRONTAL** Wheel compatibility, use holes 1 and 2 of the **Beam**. If **HORIZONTAL**, use holes 2 and 3.

Place the **Beams** inside the chassis, then secure it inserting **Allen Screws M8 × 130mm and 8mm Washers.**

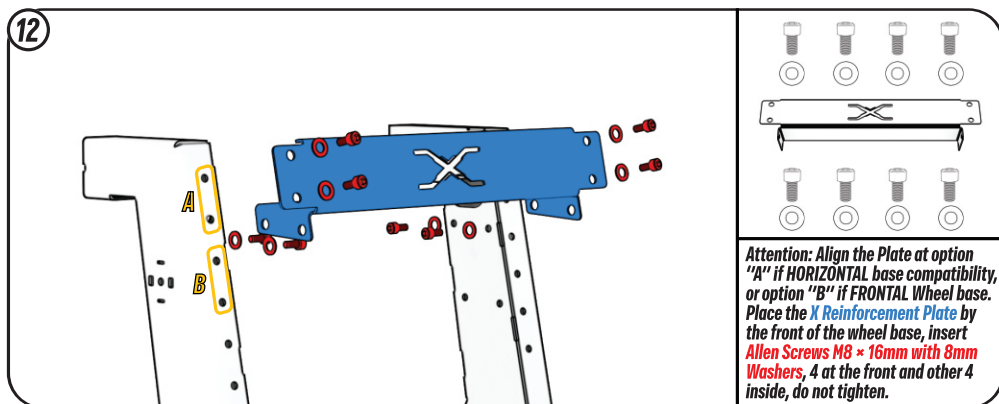
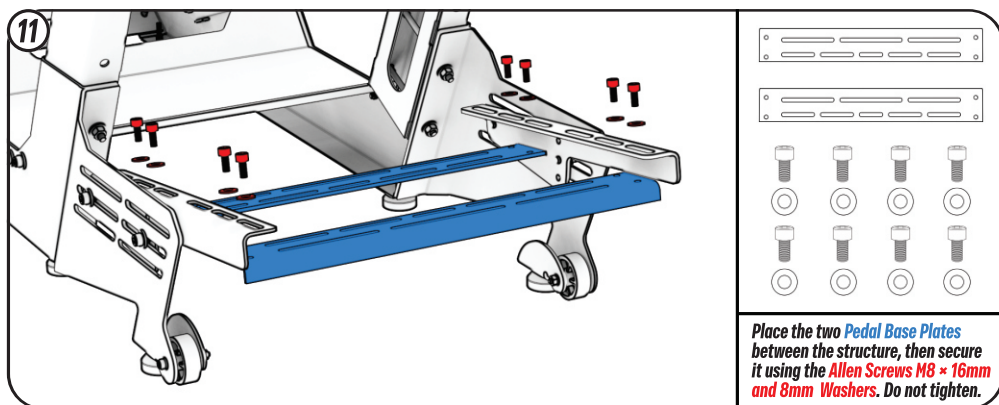
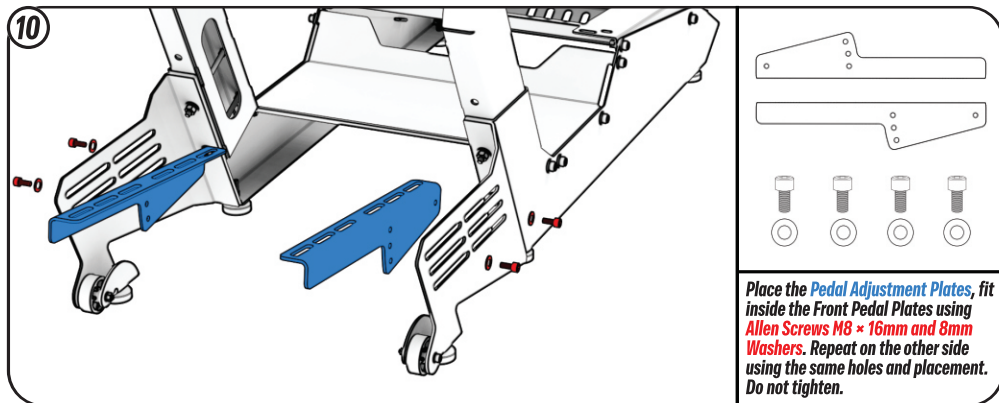
09



With the screws of the previous step in place, fit the **Front Pedal Plates** with it's wheels facing inwards as shown in the picture, then fit the **8mm Washers and Hex Nuts.**

Need assistance? Send questions to:

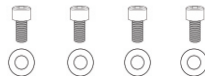
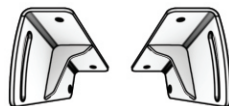
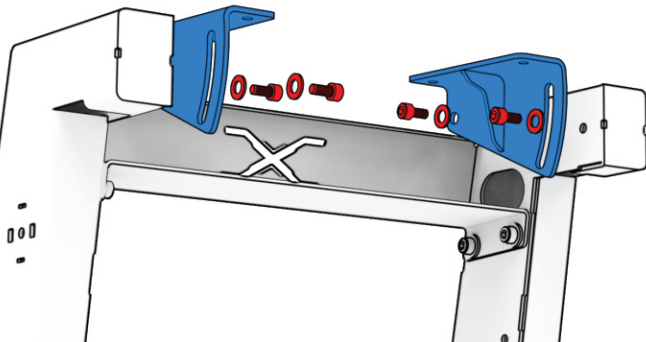
 contact@extremesimracing.com



Need assistance? Send questions to:

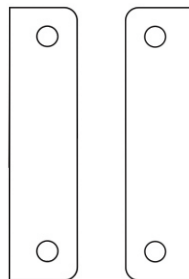
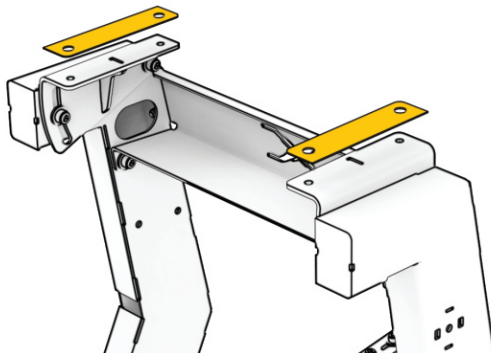
 contact@extremesimracing.com

13



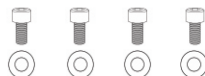
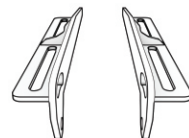
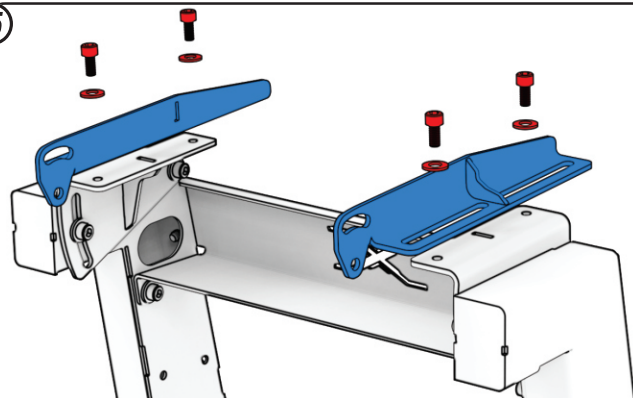
Place the **Height Adjustment Plates** between the Beams, secure it using **Allen Screws M8 × 16mm with 8mm Washers**. Align both pieces at the same height, tighten them in place.

14



Stick the **Adhesive Felts**, aligning it's holes with the holes of the plates.

15

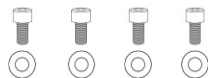
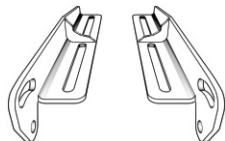
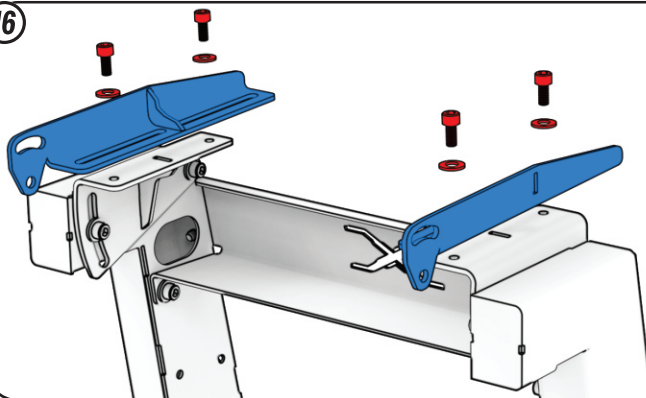


For **FRONTAL Base Compatibility**, place the **Depth Adjustment Plates** on the structure as shown in the picture, with tabs facing outwards. Fit using **Allen Screws M8 × 16mm with 8mm Washers**.

Need assistance? Send questions to:

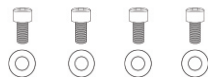
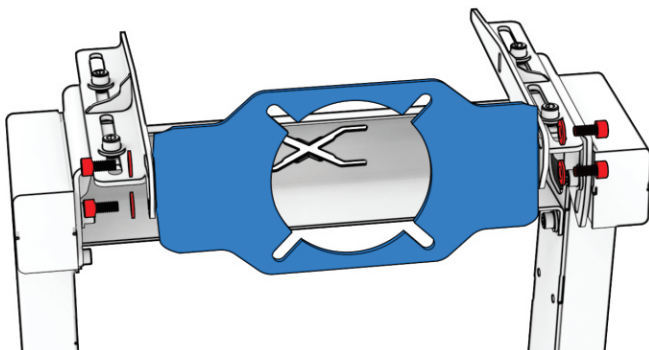
 contact@extremesimracing.com

16



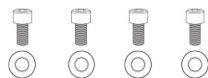
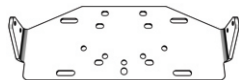
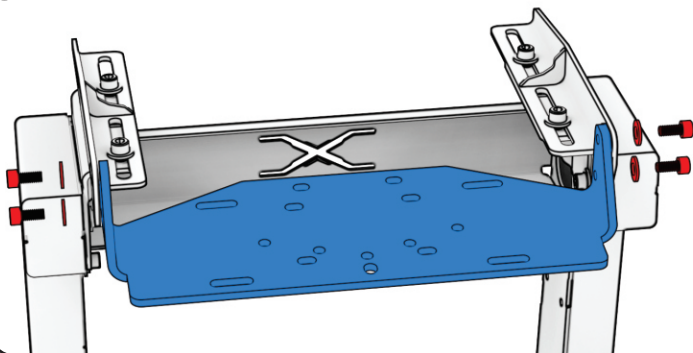
For HORIZONTAL Base Compatibility, place the **Depth Adjustment Plates** on the structure as shown in the image, with its tabs facing inwards. Fit using **Allen Screws M8 × 16mm and 8mm Washers**.

17



Place and fit the **Frontal Wheel Base** at the center of the structure, using the **Allen Screws M8 × 16mm with 8mm Washer**.

18

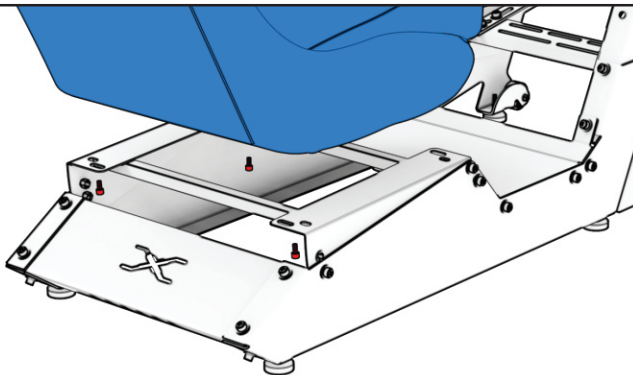


Place and fit the **Horizontal Wheel Base** at the center of the structure, using the **Allen Screws M8 × 16mm with 8mm Washer**.

Need assistance? Send questions to:

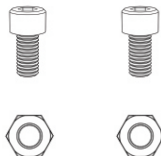
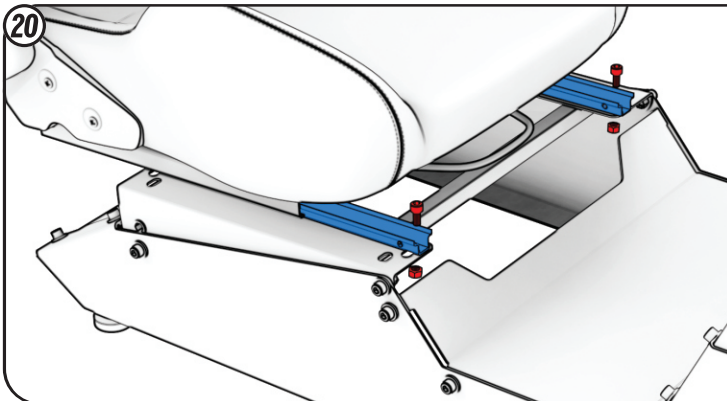
 contact@extremesimracing.com

19



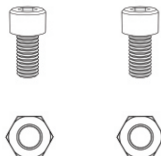
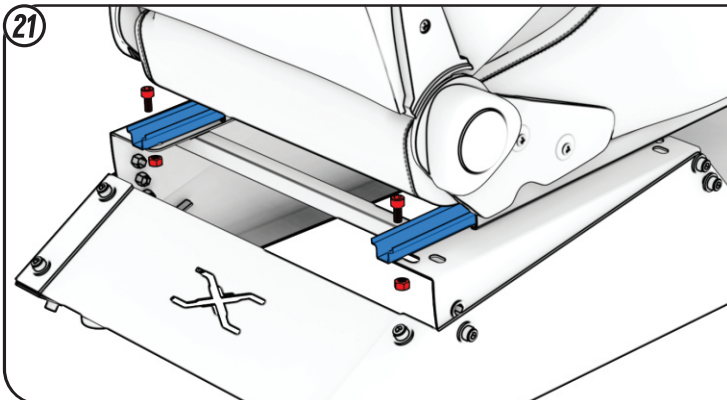
To mount the **seat** without rails (**bottom holes**), place and align the holes to the ones on the chassis. Fit using screws with the same spec as the seat's threads.

20



For seats with rail (P1, XL, GTX) pull the rail's lever and move them all the way to the front. Align the front holes of the rail to the inner holes of the chassis (or to the outer holes for XL seat) then fit **Allen Screws M8 x 16mm** and **8mm Hex Nuts**. Do not tighten.

21

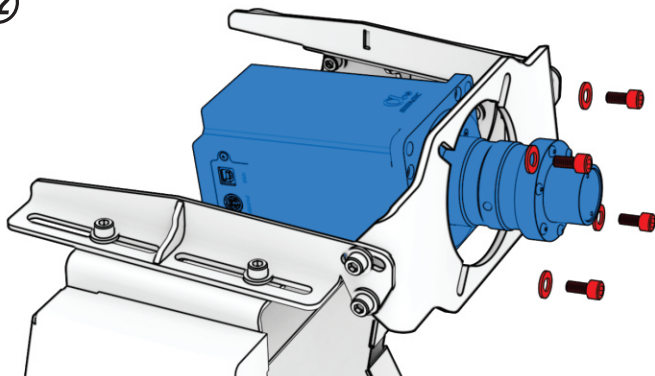


Pull the rail's lever and move the seat forward, so it gives access to the rails on the back. Align with the holes of the chassis then fit the **Allen Screws M8 x 16mm** and **8mm Hex Nuts**. Align the seat to the structure, tighten the back screws and then the front screws.

Need assistance? Send questions to:

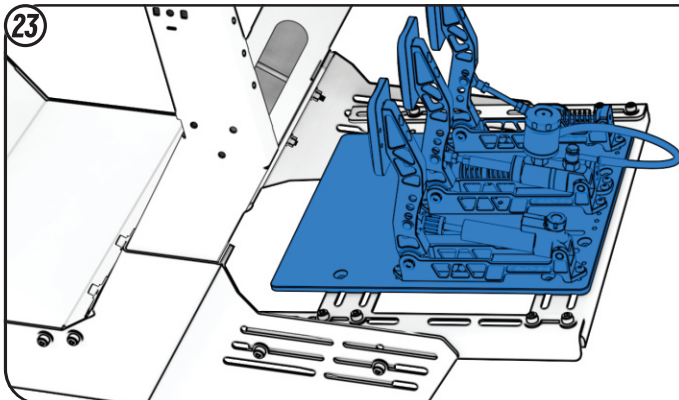
 contact@extremesimracing.com

22



Install your **DD Motor** on the plate using **Allen Screws M8 × 16mm with 8mm Washers** for **FRONTAL Base Compatibility**, or **Allen Screws M6 × 16mm with 6mm Washers** for **Horizontal Wheel Base**. Check the specifications of your wheel base manufacturer for screws outside of this pattern.

23



Move the **Base Pedal Plates** in order to align it with the holes of your **pedals**. Some can be directly screwed, others could also need nuts.